

# TGB Microturbine Micro-CHP system

Turbo Green Boiler Generates 2 kW Electrical and 30 kW Thermal Power

## Key Features

- Highly reliable
- Minimal maintenance
- Wall-hung packaging
- Coaxial air / flue piping
- Integrated Grid-Tie Inverter
- Proven oil-lubricated bearing
- Simple display and user interface
- Heat driven automatic control system

## Performance

Power output	2	kW
Heat output	30	kW
Overall efficiency	90*	%
Rotor speed	170,000	rpm

\* Including some HHV latent heat recovered from the fuel input

## Fuel

Fuel type	Natural gas	G20
Fuel consumption (LHV)	33	kW

## Emissions @ 100% load

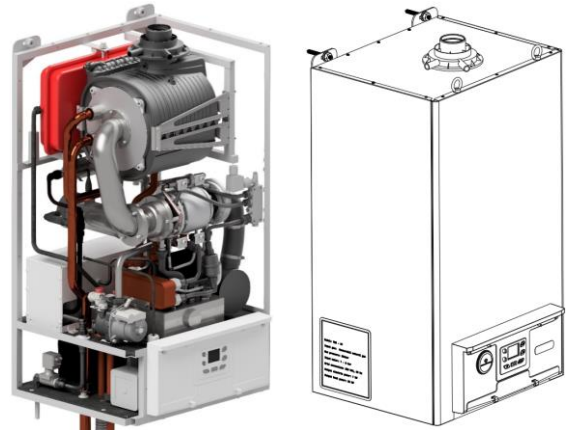
NO <sub>x</sub> (class 5)	< 100	mg/kWh
CO	< 300	ppm @270% O <sub>2</sub>
CO <sub>2</sub> savings	2	tons/year
Noise	< 50	dB (A) 1m

## Installation

Dimensions (HxWxD)	950 x 554 x 450	mm
Weight (empty)	80 (70)	Kg
Gas connection	22 (3/4)	mm (In)
Water connection	22 (3/4)	mm (In)
Grid connection	230 / 50	VAC, Hz

## Operating Life

Service intervals	5,000	hours
Overhaul	25,000	hours
Design life	50,000	hours



## Microturbine Engine Design

- Single shaft simple cycle micro turbine
- Centrifugal compressor & radial turbine
- Permanent magnet motor/generator
- Proven oil bearing technology
- Quiet and no vibrations
- Remote monitoring

## Microturbine Engine Cycle

